

## **ADDENDUM – 3**

November 29, 2023

**PAWTUCKET HOUSING AUTHORITY  
Galego Court Community Building Roof Replacement**

**Project Site:**

**483 Weeden St, Pawtucket, RI 0860**

The following changes, modifications, and clarifications are hereby made to the plans and specifications for the above referenced project.

- Item 1:           The Bid Due Date has been changed to December 6, 2023, by 2:00 PM.
- Item 2:           To clarify on the roof drain replacement, we are not requesting to replace the existing roof drain housing/drain body, just provide a rack drain into the existing roof drain housing/drain body. Please see attached spec sheet for Zurn RD2150-FS roof drain or approved equal.

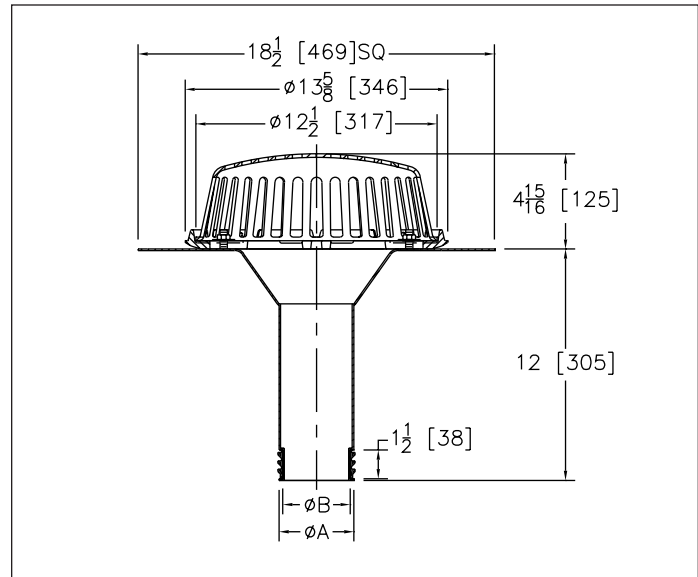
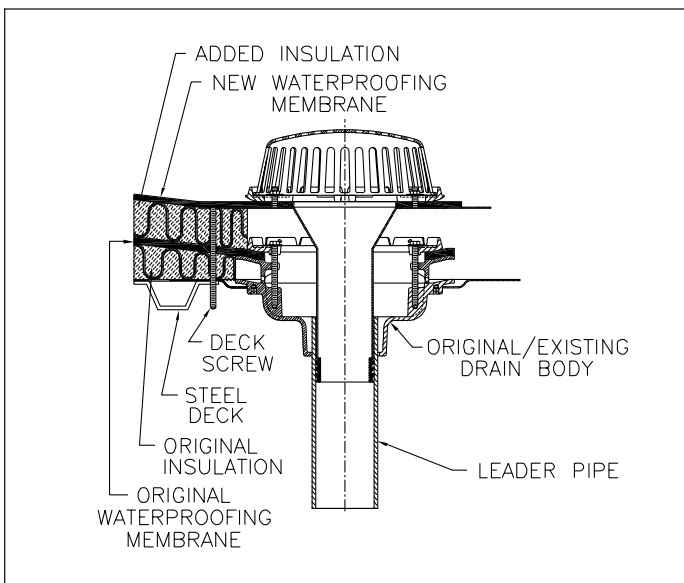
**RD2150 REPLACEMENT ROOF DRAIN**

**RD2150 REPLACEMENT ROOF DRAIN**

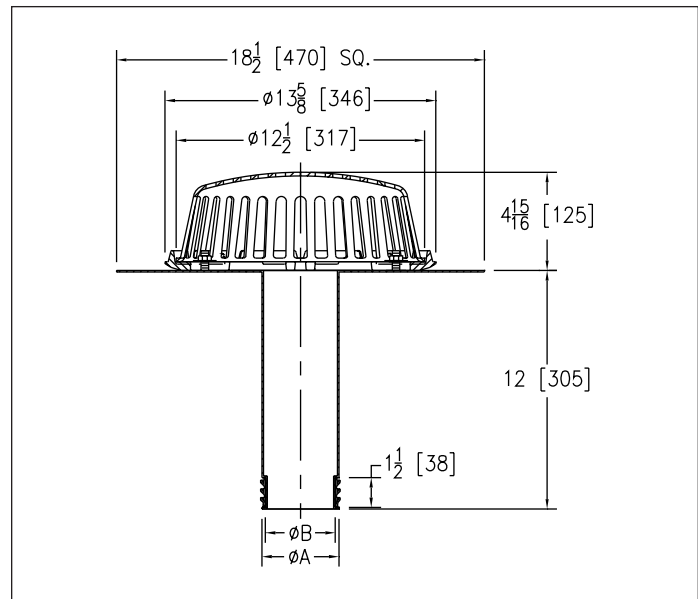
The RD2150 is installed inside of an existing drain. The drain is used where re-roofing is done over existing roofing, as well as total roof replacement renovation applications. The original roof drain need not be disturbed and the new drain is installed by insertion into the leader pipe. The neoprene gasket with one-way gripping ribs holds the drain in place. Once installed, the drain is held securely in place and sealed to the pipe, preventing possible leakage. Typical installation shows new insulation and membrane applied to roof.

**Note:** Tie-down slots for fasteners are provided in the RD2150 flange. It is recommended these be utilized during construction to hold drain body firmly in place.

**RD2150 TYPICAL INSTALLATION**



**RD2150 Replacement Roof Drain**



**RD2150-FS Flat Sump Replacement Roof Drain**

**Note:** The RD2150 and RD2150-FS are available through Zurn Light Commercial Operation.